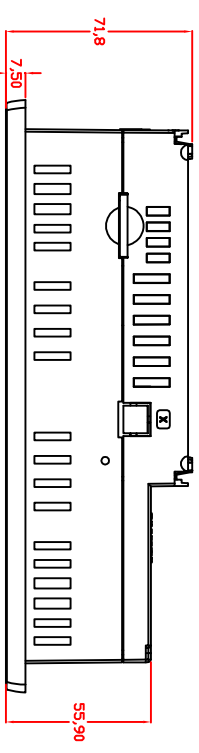
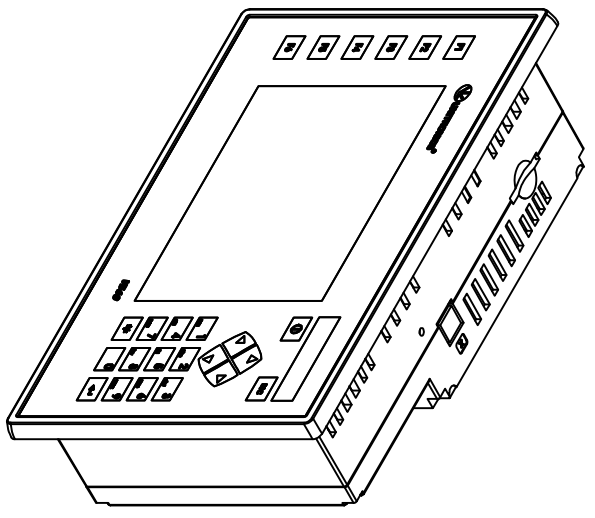
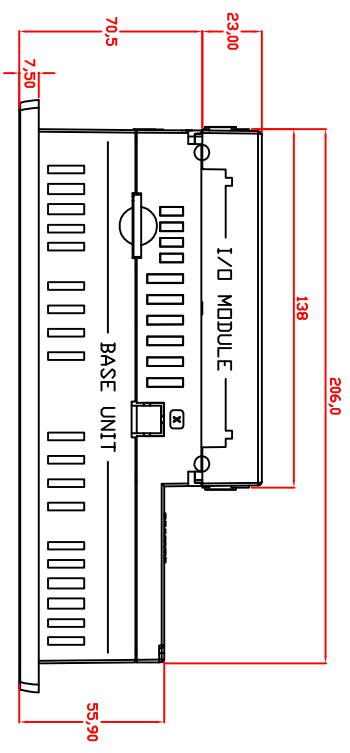
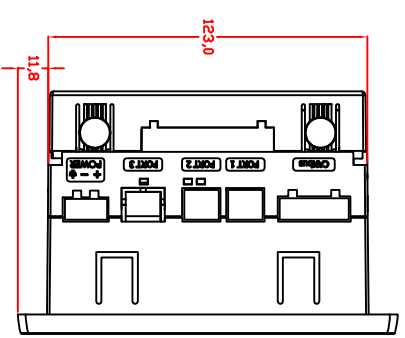
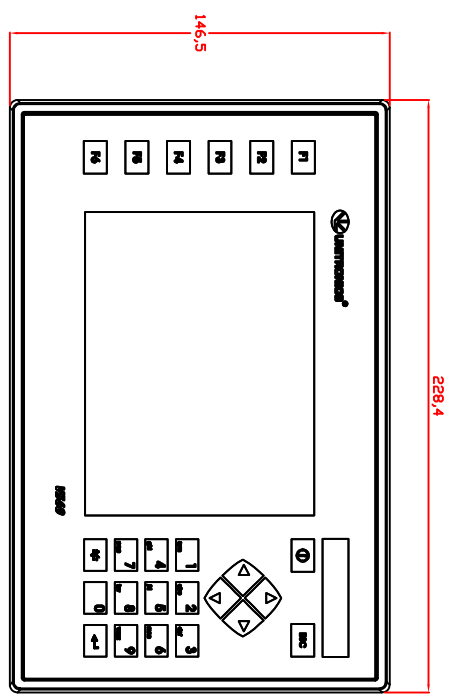


NO.	REVISION	DESCRIPTION	DATE	BY



This drawing is provided for representational purposes only.  
 Dimensions may not be exactly to scale.

The above constitute the property of Unintronics (1989)(P) Ltd. and are protected by copyright laws as its creation. Unintronics (1989)(P) Ltd. retains all rights to its proprietary assets including, but not limited to the drawings, sketches and drafts, and shall remain the sole owner of all rights in and to the above information. Any unauthorized use, copying, distribution, transfer, assignment, giveaway, rent, lease, sublicense or deposit thereof are strictly prohibited without prior written permission from Unintronics (1989)(P) Ltd.

**UNINTRONICS**  
 10000 10th Street, Suite 200, San Diego, CA 92121  
 (619) 444-1111

**V560 CAD DRAWING**

DATE	REV	DESCRIPTION